

PROMENADE DRAIN - SQUARE GRATE

868 SERIES

SPECIFICATION

Sioux Chief 868 Series 16" promenade drain with square top. Includes coated cast iron drain body with plugged 1/2" NPT trap primer port, clamping grate frame, and ductile iron grate.

Used in outdoor areas, patios, concourses, parking garages, and other areas. Designed in accordance with ASME A112.6.3

GRATE FREE AREA

96.5 in²

GRATE LOAD RATING

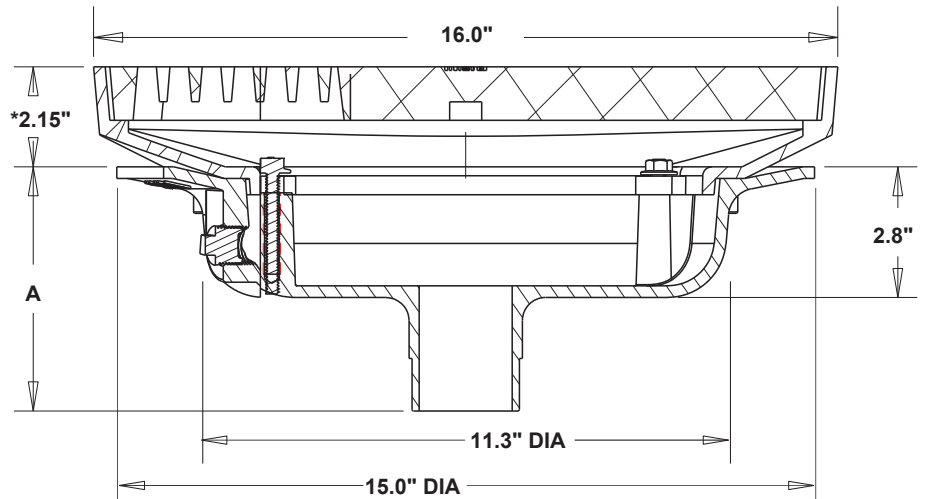
Heavy-Duty - standard (for safe load between 5,000 - 7,500 lbs.)

Extra Heavy-Duty - optional (for safe load between 7,500 - 10,000 lbs.)

DIMENSIONS

A: Drain body height	
3" Connection	4.60"
4" Connection	4.60"
6" Connection	5.25"
8" Connection	5.25"

ITEM # SUBMITTED	_____
JOB NAME	_____
LOCATION	_____
ENGINEER	_____
CONTRACTOR	_____
PO#	_____ TAG _____



* Add 1/4" for nickel-bronze veneer

Create Item Number

868-ABC

e.g. **860-Q624INB**: Promenade drain with 4" No-Hub connection, debris bucket and square ductile iron grate with NB veneer

CONNECTION SIZE A

Q623 = 3" connection
Q624 = 4" connection
Q626 = 6" connection
Q628 = 8" connection

GRATE TYPE B

I = Ductile iron grate
IN = Ductile iron grate with nickel-bronze veneer

OPTIONS C

2 = 2" high SS perf. extension
9 = Side-outlet connection¹
C = Underdeck clamp kit
P = Top-mount sump receiver³
X = Extra heavy-duty vandal-resistant grate (7,500 - 10,000 lbs.)

4 = 4" high SS perf. extension
B = Debris bucket²
E = Adjustable extension
S = Sump receiver

1: Side-outlet For 2" - 4" No-Hub connection only | 3: Debris bucket not available for drains with Adjustable Extension "E"
 4: Includes sump receiver plate and drain-to-plate attachment hardware